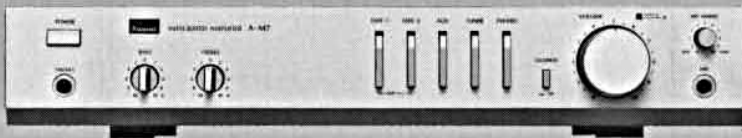


SERVICE MANUAL

INTEGRATED AMPLIFIER

SANSUI A-M7



● SPECIFICATIONS

Power output

Min. RMS, both channels driven, from 40 to 20,000 Hz,
with no more than 0.08 % total harmonic distortion
25 watts per channel into 8 ohms

Load impedance 8 ohms

Total harmonic distortion

. less than 0.08 % at or below
rated min. RMS power output

Frequency response (at 1 watt)

. 10 to 50,000 Hz
+0.5 dB, -2 dB

RIAA curve deviation (PHONO, 30 Hz to 20 kHz)

. +0.5 dB, -0.5 dB

Input sensitivity and impedance (1 kHz, for rated power output)

PHONO 2.5 mV/47 kilohms
(Max. input capability; 150 mV at 1 kHz, less than
0.1 % total harmonic distortion)

AUX, TUNER, TAPE PLAY

. 150 mV/47 kilohms

MIC 0.5 mV/10 kilohms

Output level (1 kHz)

TAPE REC 130 mV into 47 kilohms

Signal to noise ratio (short-circuit, A-network)

PHONO 72 dB

AUX, TUNER, TAPE PLAY

. 90 dB

Power requirements

Power voltage 120/220/240 V (50/60 Hz)

For U.S.A. & Canada

. 120 V (60 Hz)

Power consumption

. 102 watts 118 VA Rated
147 watts Maximum

Dimensions

345 mm (13-9/16") W

62 mm (2-7/16") H

248 mm (9-3/4") D

Weight

3.65 kg (8.1 lbs) net

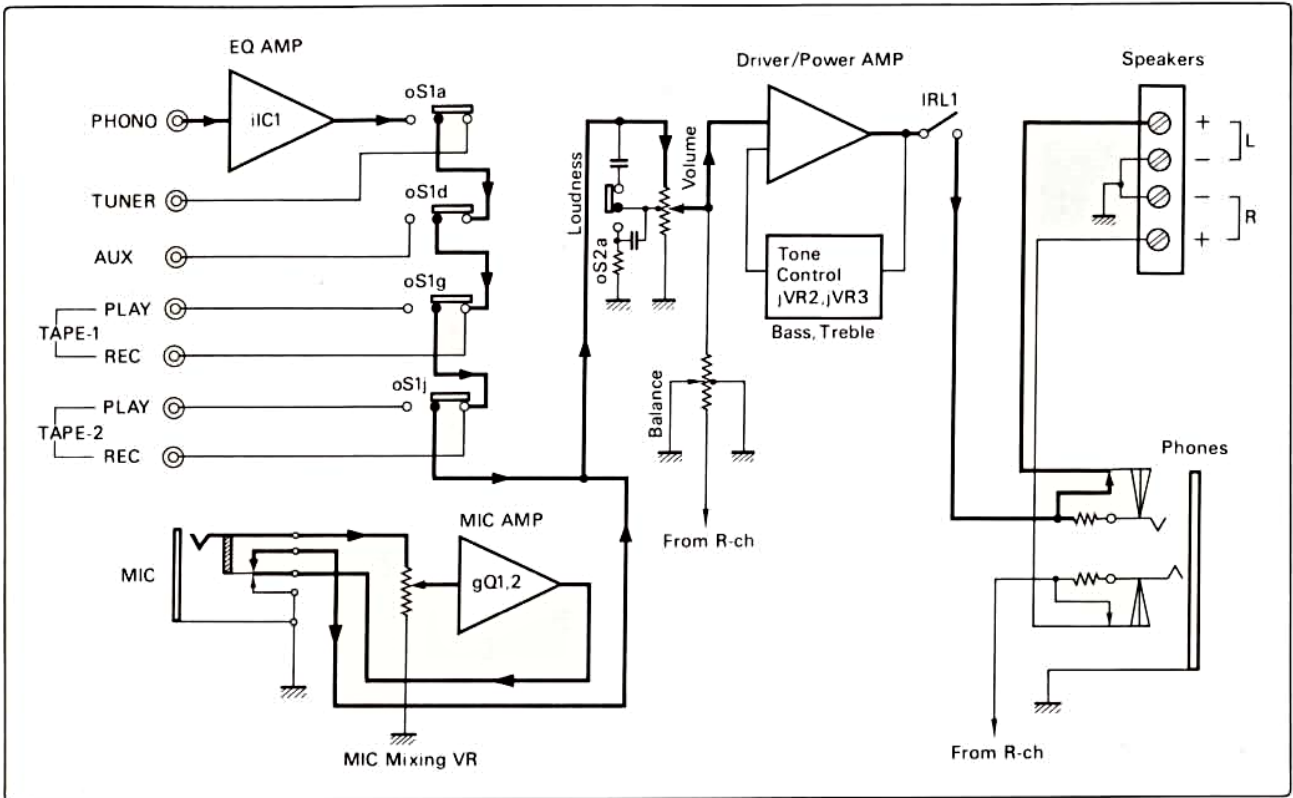
4.1 kg (9.0 lbs) packed

* Design and specifications subject to changes
without notice for improvements.

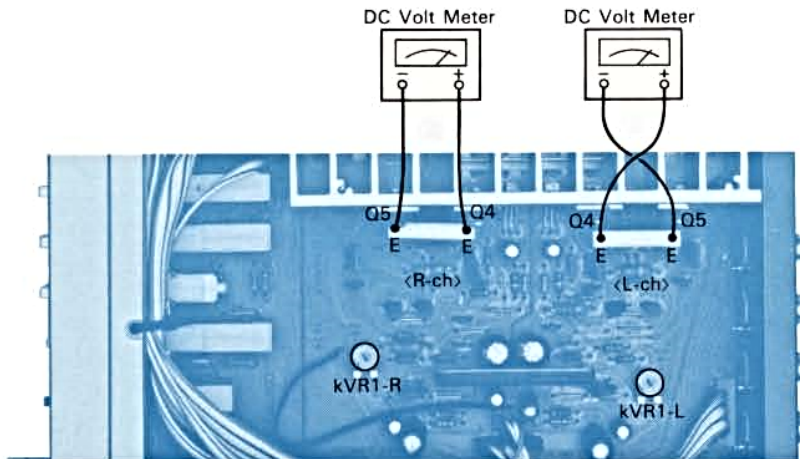
Sansui

SANSUI ELECTRIC CO., LTD.

1. BLOCK DIAGRAM



2. BIAS CURRENT ADJUSTMENT (Refer to picture below)



Note:

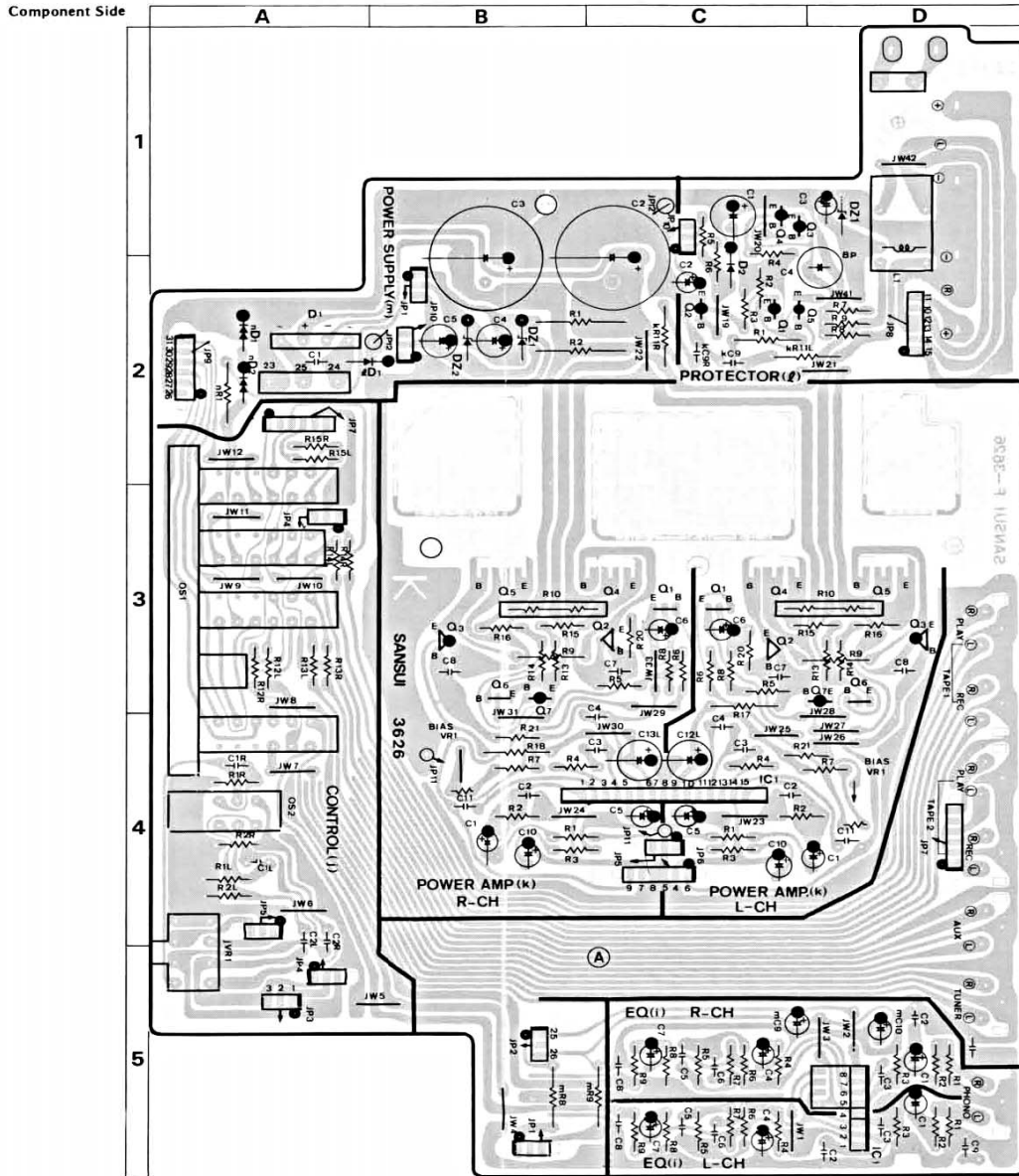
1. Room Temperature 18°C ~ 38°C
2. For adjustment, run the unit for more than 3 minutes after the power is switched on.
3. Before turning ON power switch, turn kVR1 on F-3626 fully counterclockwise.

STEP	SUBJECT	MEASURE OUTPUT	ADJUST	ADJUST FOR	REMARKS
1.	L-CH	Connect DC volt meter between emitters of kQ4, kQ5 on F-3626	kVR1 (L-CH) F-3626	DC 3 mV	This bias current adjustment converts current value into voltage by ohms law.
2.	R-CH	Same as above	kVR1 (R-CH) F-3626	DC 3 mV	

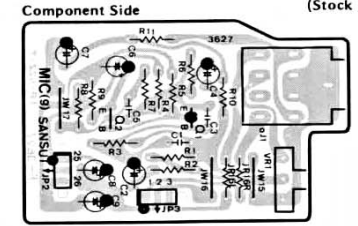
3. PARTS LOCATION & PARTS LIST

3-1. F-3626 EQ Amp/Power Amp Circuit Board (Stock No. 00663101)

• Since some of capacitors and resistors are omitted from parts lists in this Service Manual, refer to the Common Parts List for capacitors & resistors, which was appended previously to Sansui Manual.



3-2. F-3627 Mic Amp Circuit Board (Stock No. 00663201)



Parts List

Parts No.	Stock No.	Description
gQ1	03010901	2SA992
gQ2	07225401	2SC2320L
gC5	46137800	680pF C.C.
gVR1	07016701	20kΩ (A) Variable Resistor, mic
oJ1	46164600	Jack, mic

• Note: The circuit board, F-3628, F-3629, F-3630 & F-3631 are not supplied as the assembled. However, the individual parts on the circuit board are provided by orders.

3-3. F-3628 Tone Control Circuit Board

Parts List

Parts No.	Stock No.	Description
jVR2, 3	46097310	50kΩ x 2 Variable Resistor, tone

3-4. F-3629 Head Phone Jack Circuit Board

Parts List

Parts No.	Stock No.	Description
oJ2	46164700	Jack, head phones

3-5. F-3630 Power Switch Circuit Board

Parts List

Parts No.	Stock No.	Description
pC1	08302600	0.01μF 400V C.C.
pF1	07188600	Fuse 2A (120 V)
	07188400	Fuse 1A (220 V)
pS1	46087300	Push Switch, power

3-6. F-3631 Indicator Circuit Board

Parts List

Parts No.	Stock No.	Description
	07828000	L.E.D. holder
nLD1 ~ 5	46095200	L.E.D. TLR123

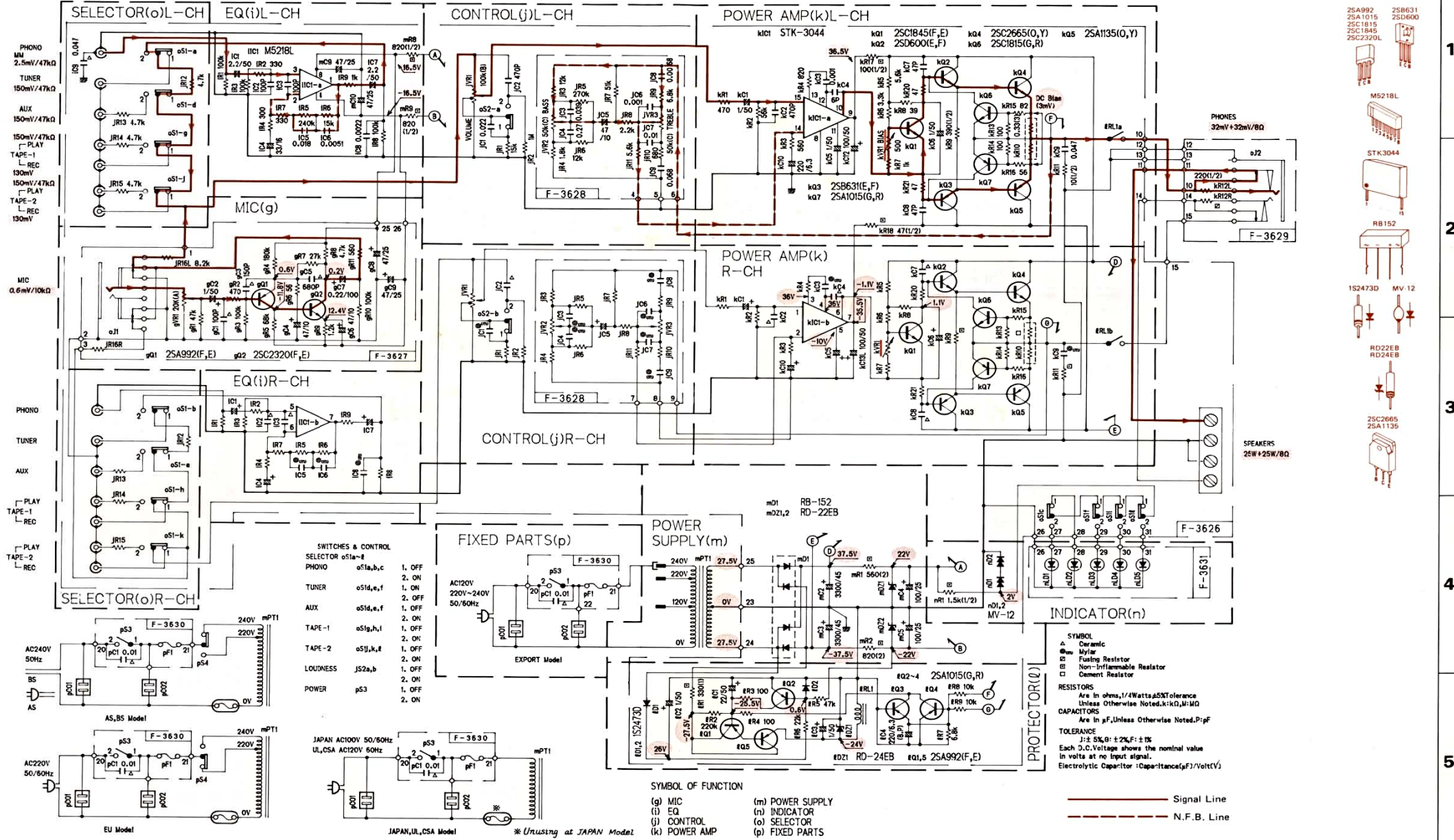
Parts List <F-3626>

Parts No.	Stock No.	Description
• Transistor		
kQ1	03067401	2SC1845
kQ2	07263501	2SD600
kQ3	07263401	2SB631
kQ4	03069001	2SC2665
kQ5	03012101	2SA1135
kQ6	07194801	2SC1815
kQ7	07194701	2SA1015
IQ1	03010901	2SA992
IQ2 ~ 4	07194701	2SA1015
IQ5	03010901	2SA992
• IC		
iIC1	46078900	M5218L
kIC1	46165500	STK3044
• Diode		
ID1, 2	03117600	1S2473D
mD1	03117000	RB-152
nD1, 2	03401500	MV-12
• Zener Diode		
IDZ1	03180200	RD24E-B
mDZ1, 2	03180000	RD22E-B
• Capacitor		
IC4	08460200	220μF 6.3V E.B.
mC2, 3	46190500	3300μF 45V E.C.
• Resistor		
jVR1	46170200	100kΩ (B) Variable Resistor, master
kR10	08310100	0.33Ω x 2 3W N.I.R.
IR1	00182200	330Ω 1W N.I.R.
kVR1	07240900	500Ω (B) Semi Variable Resistor, bias
mR1	00190800	560Ω 2W N.I.R.
mR2	00192000	820Ω 2W N.I.R.
IRL1	07192300	Relay, protector
oS1	46164800	Push Switch, selector
oS2	46164900	Push Switch, loudness
	07249000	2P Input Terminal Board, phono
	07249100	4P Input Terminal Board, tuner, aux, tape
	46118300	4P Output Terminal Board, speaker

• Abbreviations

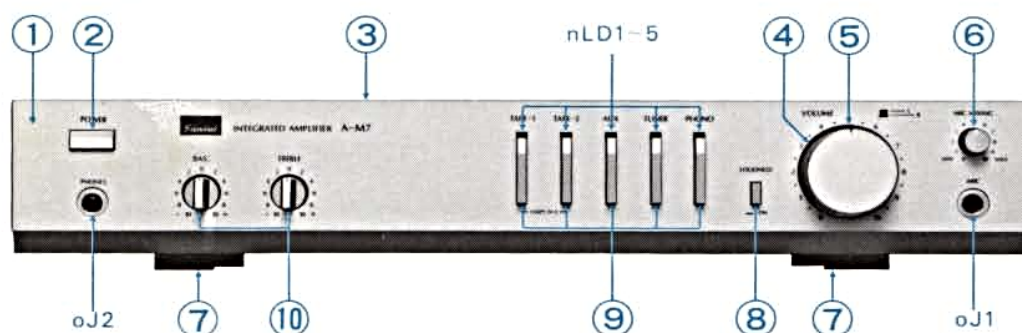
C.R.	Carbon Resistor	E.L.	Low Leak Electrolytic Capacitor
S.R.	Solid Resistor	E.B.	B-Polar Electrolytic Capacitor
Ca.R.	Cement Resistor	E.BL.	Low Leak B-Polar Electrolytic Capacitor
M.R.	Metal Film Resistor	Ta.C.	Tantalum Capacitor
F.R.	Fusing Resistor	F.C.	Film Capacitor
N.I.R.	Non-Inflammable Resistor	M.P.	Metallized Paper Capacitor
C.C.	Ceramic Capacitor	P.C.	Polystyrene Capacitor
C.T.	Ceramic Capacitor, Temperature Compensation	G.C.	Gimmick Capacitor
E.C.	Electrolytic Capacitor		

4. SCHEMATIC DIAGRAM

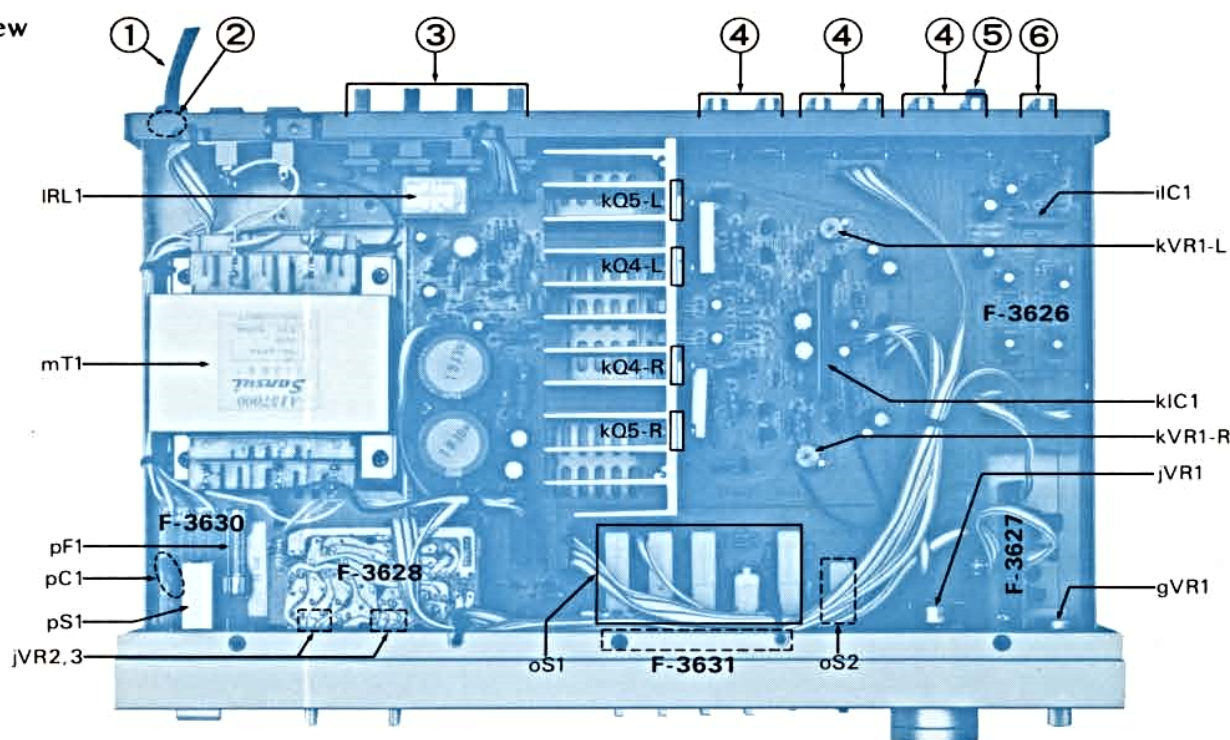


5. OTHER PARTS

5-1. Front View



5-2. Top View



Parts List <Front View>

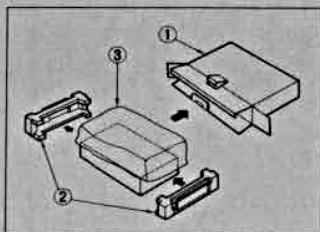
Parts No.	Stock No.	Description
1	07831700	Front Panel Ass'y
2	07828200	Push Knob, power
3	07832400	Bonnet
4	07831900	Knob, master volume R-ch
5	07832000	Knob, master volume L-ch
6	07834700	Knob, mic
7	07779800	Leg
8	07828800	Push Knob, loudness
9	07828300	Push Knob, selector
10	07827900	Knob, tone
oJ1	46164600	Jack, mic
oJ2	46164700	Jack, head phones
nLD1 ~ 5	46095200	L.E.D. TLR123

Parts List <Top View>

Parts No.	Stock No.	Description
1	38004700	Power Supply Cord
2	39106000	Strain Relief
3	46118300	4P Output Terminal, speaker
4	07249100	4P Input Terminal, tuner, aux, tape
5	22301500	Gnd Terminal
6	07249000	2P Input Terminal, phono
gVR1	07016701	20kΩ (A) Variable Resistor, mic
jVR1	46170200	100kΩ (B) Variable Resistor, master
oS2	46164900	Push Switch, loudness
oS1	46164800	Push Switch, selector
jVR2, 3	46097310	50kΩ x 2 Variable Resistor, tone
pF1	07188600	Fuse 2A (120 V)
	07188400	Fuse 1A (220 V)
pS1	46087300	Push Switch, power
pC1	08302600	0.01μF 400V C.C.
mT1	15005701	Power Transformer

6. PACKING LIST

Parts No.	Stock No.	Description
1	07833400	Carton Case
2	07833300	Styrofoam Packing
3	07805200	Vinyl Cover



7. ACCESSORY LIST

Stock No.	Description
46142200	Operating Instruction

SANSUI ELECTRIC COMPANY LTD.:

14-1, Izumi 2-chome, Suginami-ku, Tokyo 168 Japan
 PHONE: (03) 324-8891/TELEX: 232-2076 (International Division)
 1250 Valley Brook Ave. Lyndhurst, N.J. 07071 U.S.A.
 333 West Alondra Blvd. Gardena, California 90247 U.S.A.
 3036 Koapaka St. Honolulu, Hawaii 96819 U.S.A.

SANSUI ELECTRONICS CORPORATION:

SANSUI ELECTRONICS (U.K.) LTD.:
 SANSUI ELECTRONICS G.M.B.H.:

Unit 10A, Lyon Industrial Estate, Rockware Avenue, Greenford, Middx UB6, OAA, England
 Paul Ehrlich Strasse 8, 6074 Rödermark 2, West Germany